



Ravaglioli

COMPANY WITH
QUALITY SYSTEM
CERTIFIED BY DNV GL
= ISO 9001 =

WHEEL ALIGNMENT
SYSTEM

VISTAR
3DT® Target Alignment



RAV
TD

3000
HP

2200
WS

1760
WS



SINCE 1958

Bluetooth®
Wireless

24 volt motor with low speed rotation = *min. power consumption* **eco**



TOWER-FREE 3D Alignment System



Monitor 22"

TD3000HP.B

QUICK BATTERY CHANGE



EASY UNDER VEHICLE READING



LED REPEATER

Guided adjustments with no need to see the monitor.

ALIGNMENT READING IN 8"

Bluetooth
Bluetooth transmission between measuring heads and control unit.

MEGAPIXEL HIGH RESOLUTION CAMERAS

EXTREMELY FAST: NO COMPENSATION REQUIRED

- Exclusive 3D targets:
- no need for run out compensation
 - extremely light
 - no electronic components inside
 - no maintenance required.

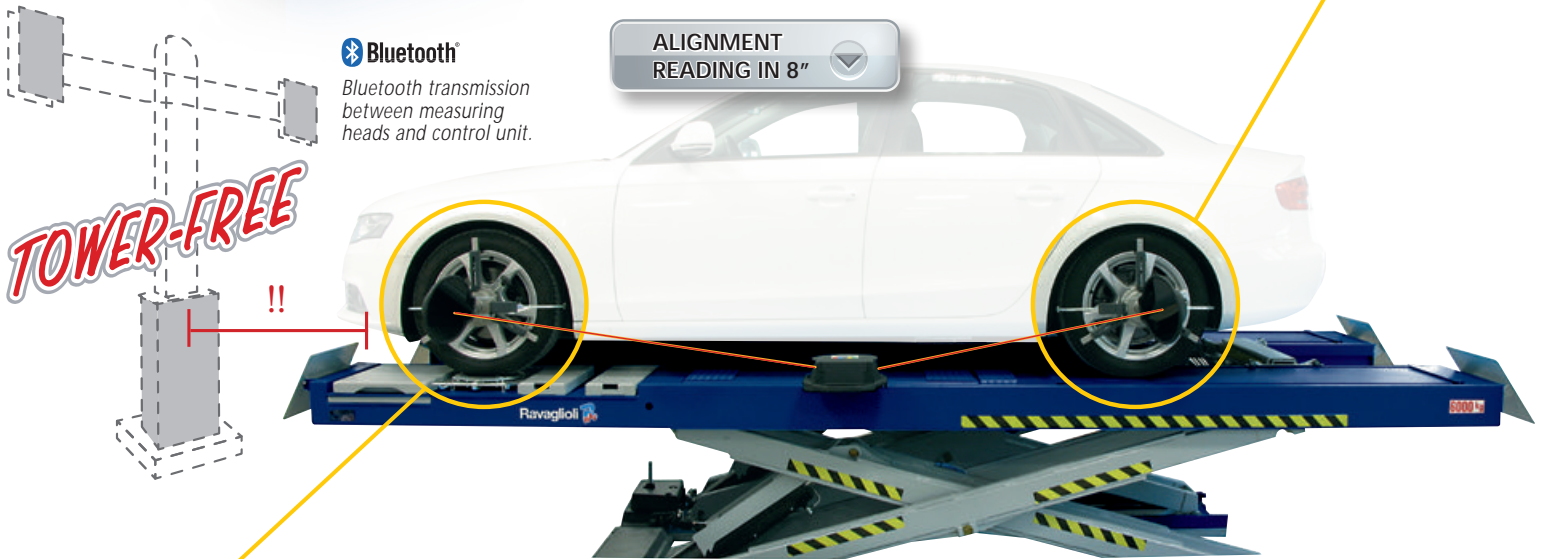
PATENT PENDING



2,5 lbs

3DT® TARGET (Solid Vision Technology)

TOWER-FREE !!



3 POINT + QUICK LOCKING

PATENT PENDING



FASTEST SETUP

Pair of self-centering 3 point clamps, with quick locking units and ABS claws. Equipped with quick claws approach device.



8"-24"



480-760 mm (19"-36")

LIFT LEVEL COMPENSATION



Can be used on any 4 post or scissors lift. Automatic lift level compensation.



Standard supports

MOBILE AND SAFE



8 lbs

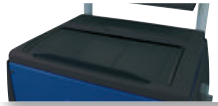
Quick clamp to the lift. Pivoting support to avoid damage with obstacles while lowering.

QUICK CONTROL



QC2R (Quick Control 2 Reverse) allows to quickly diagnose front axle angles: total toe and camber. After measurement the user will decide whether to carry on with alignment operation and vehicle adjustment.

Option: STDA 3D/QC



A useful cover can be opened and closed easily to protect the keyboard.



TD2200WS

Infra-red transmission among measuring heads.
Bluetooth transmission between front measuring heads and control unit. Equipped with TFT colour monitor.
Data Bluetooth transmission allows maximum mobility between different working positions, thanks to the absence of cables and any fix structure.

SAFE PRINT

The paper-exit opening permits using the printer with the drawer closed, thereby providing total protection against damage and pollution.

QUICK CHARGE

Special supports to house the measuring-heads and recharge the batteries.

DRAWER

Drawer to store clamps and accessories.

WHEELED CONTROL UNIT

The wheeled control unit houses computer, printer and monitor.

Power supplied by long-life rechargeable batteries.
Infra-red data transmission particularly good even in difficult lighting conditions.



TD1760WS



8 Sensors

Pin mounted on bearing (TD2200WS only)

Contacts for battery charging

Synoptic LED signal repeaters on each measuring head.

LED REPEATER



6 Sensors

DIGITAL DISPLAY

Sensor level and battery charge indication on digital display.



REMOTE CONTROL

Keyboard with remote-control function.

SmartPhone REMOTE CONTROL



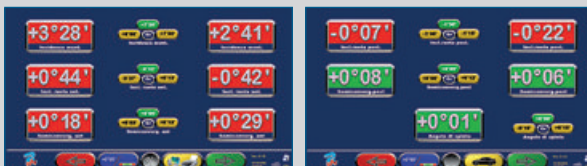
Model	TD 3000HPB	TD 2200WS	TD 1760WS
DIGITAL DISPLAY	✓	✓	○
REMOTE CONTROL	✓	✓	✓
LED REPEATER	✓	✓	✓
24" ZERO RUNOUT fast clamps	✓	✓	○
QUICK CONTROL SOFTWARE	✓	✓	✓
VIN DATABASE	○	○	○
SmartPhone REMOTE CONTROL	○	○	○

STANDARD OPTIONS

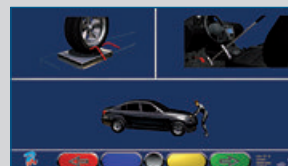
EASY DATA



EASY ALIGNMENT



3D ANIMATION



3D INFO





Top product
Made in Italy



CAR ALIGNMENT ACCESSORIES

4 point

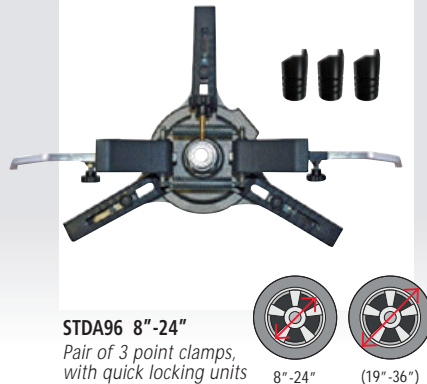


STDA33EU 10"-24"

Pair of self-centering 4 point clamps, with removable claws.

10"-24"

3 point + quick lock



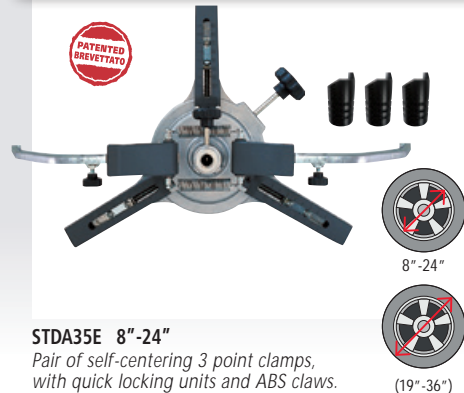
STDA96 8"-24"

Pair of 3 point clamps, with quick locking units and ABS claws.

8"-24"

(19"-36")

3 point + quick locking premium



STDA35E 8"-24"

Pair of self-centering 3 point clamps, with quick locking units and ABS claws. Equipped with quick claws approach device.

8"-24"

(19"-36")

METAL



STDA40
8 x 33 mm (1.3")
→ STDA33EU (standard)
STDA35E-95E (option)
Metal claws.



Standard STDA40 compared to STDA136



STDA136 - 8 x kit
→ STDA33EU
Run-Out Compensation Required
Set of steel claws for low profile tyres.



STDA41 - 8 x 55 mm (2.2")
→ STDA33EU-35E-95E-84E (option)
Long metal claws for vans.



STDA42 - 6 x 55 mm (2.2")
→ STDA33EU-35E-95E (option)
Extensions for metal claws for protruding hubs.



STDA100 Ø from (27") to (36")
STDA101 Ø from (34") to (44")
(→ STDA35E-95E)
Set of 4 clamping arms



STDA38 Ø from (19") to (30")
(→ STDA33EU)
Couple of quick-locking arms for upgrade



STDA72 - 6 x extensions from 24" to 28"
(→ STDA35E-95E)
Extension kit for a pair of 3 point clamps.

ABS Plastic



STDA39 - 8 x kit
→ STDA46EU-48E-35E-95E-84E
ABS conic claws for quick lock clamps.

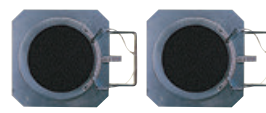


STDA94 - 8 x kit
→ STDA46EU-48E-35E-95E-84E
Low depth ABS claws.

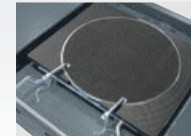


STDA131 - 8 x kit
→ STDA46EU-48E-35E-95E-84E
Volkswagen ABS claws.

Turntables



S110A7 - Ø 310 mm (12.2")
(2x2200lbs) Turntables



STDA124 - Ø 360 mm (14.1")
(2x2200lbs) 3D Turntables

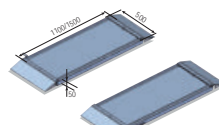


STDA3D/QC
(2 x kit)
Quick control standard

Sliding plates



S110A2 - 11" x 13" x 1,5"
Pair of sliding plates for rear wheels.



STDA16 - 43,5 x 20 x 2 mm
STDA17 - 59 x 20 x 2 mm

Calibration



STDA14
Calibration kit for CCD

STDA133
Calibration kit for VISTAR



RAV Equipment U.S.A.
+1.703.887.0095
rav@ravaglioli.com

INTERNATIONAL
Ravaglioli S.p.A.
40037 Sasso Marconi
Fraz. Pontecchio M.
P.O.B. 1690 - Bologna - Italia
Tel. +39 - 051 - 6781511
Fax +39 - 051 - 846349
rav@ravaglioli.com
www.ravaglioli.com



RAV Equipment U.S.A.

Distributed by

AETechnologies, Inc.
1082 Schoolhouse Rd.
Harveys Lake, Pa, 18618
1 877 RING AET
aetechnologiesinc.com

Edition 002